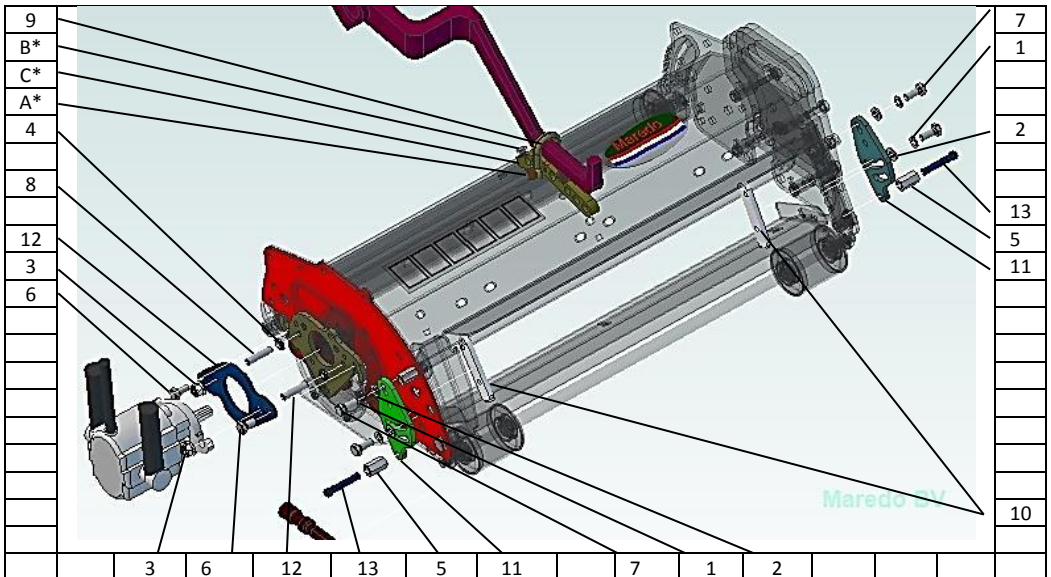


MOUNTING KIT 1320011-00 TORO

FOR Maredo GT HEADS **WITH** GEARBOX. Nov'11

| ITEM | Quant. | Part Number + Name | Comment |
|---|--------|--|---|
| 1 | 4 | 3008121 Springwasher M8 6798 A | |
| 2 | 4 | 3008160 Washer M8 DIN 125A | |
| 3 | 2 | 3508008 Self lock nut with washer | |
| 4 | 2 | 3508012 Low height nut M8 DIN 439 | To lock threaded stud #8 |
| 5 | 2 | 3508040 Nut M8 DIN 6334 | Tighten well, when mounted |
| 6 | 2 | 3608161 Bolt M8 x 16 4017 SELF | |
| 7 | 4 | 3608201 Bolt M8 x 20 ISO 4017 | |
| 8 | 2 | 3608356 Threaded stud M8x 35 DIN 916 | Screw in base plate and lock with #4 |
| 9 | 1 | 3915360 D shackle 10 mm | |
| 10 | 2 | 6006136-01 Threaded mount strip for Toro | |
| 11 | 2 | 6006138-01 Adjustable Toro side plate GT | Use the best hole/ slotted hole combination (more combinations possible). Swop left to right for even more travel/adjustment. |
| 12 | 1 | 6006141-00 Mount plate for Toro gearbox | |
| 13 | 2 | 6508041-00 Ball bolt 8 x 40 for Toro kit | Screw in #9 till it Lines up with rear |
| A | 2 | 3508004 Self lock nut M8 | Choose the right hole in cam C for D- shackle #7, so the head is in balance when raised. |
| B | 2 | 3608303 Hex socket screw M8 x 30 DIN 912 | |
| C | 1 | 6012120-02 Pick up cam for GT D shackle | |
| <p><i>These items (ABC) are not standard included in this mounting kit. They will be gradually (standard) mounted on all our machines. For some heads we will add them in this kit, others can work with the standard eye bolt.</i></p> | | | |

For(easy) changing the drive side of the head (Right-> Left/ v.v.), see the manual.



MOUNTING KIT 1320011-00 TORO

FOR Maredo GT HEADS **WITH** GEARBOX. Nov'11

| ITEM | Quant. | Part Number + Name | Comment |
|------|--------|--|---|
| 1 | 4 | 3008121 Springwasher M8 6798 A | |
| 2 | 4 | 3008160 Washer M8 DIN 125A | |
| 3 | 2 | 3508008 Self lock nut with washer | |
| 4 | 2 | 3508012 Low height nut M8 DIN 439 | To lock threaded stud #8 |
| 5 | 2 | 3508040 Nut M8 DIN 6334 | Tighten well, when mounted |
| 6 | 2 | 3608161 Bolt M8 x 16 4017 SELF | |
| 7 | 4 | 3608201 Bolt M8 x 20 ISO 4017 | |
| 8 | 2 | 3608356 Threaded stud M8x 35 DIN 916 | Screw in base plate and lock with #4 |
| 9 | 1 | 3915360 D shackle 10 mm | |
| 10 | 2 | 6006136-01 Threaded mount strip for Toro | |
| 11 | 2 | 6006138-01 Adjustable Toro side plate GT | Use the best hole/ slotted hole combination (more combinations possible). Swop left to right for even more travel/adjustment. |
| 12 | 1 | 6006141-00 Mount plate for Toro gearbox | |
| 13 | 2 | 6508041-00 Ball bolt 8 x 40 for Toro kit | Screw in #9 till it Lines up with rear |
| A | 2 | 3508004 Self lock nut M8 | Choose the right hole in cam C for D- shackle #7, so the head is in balance when raised. |
| B | 2 | 3608303 Hex socket screw M8 x 30 DIN 912 | |
| C | 1 | 6012120-02 Pick up cam for GT D shackle | |
| | | <i>These items (ABC) are not standard included in this mounting kit. They will be gradually (standard) mounted on all our machines. For some heads we will add them in this kit, others can work with the standard eye bolt.</i> | |

For(easy) changing the drive side of the head (Right-> Left/ v.v.), see the manual.

