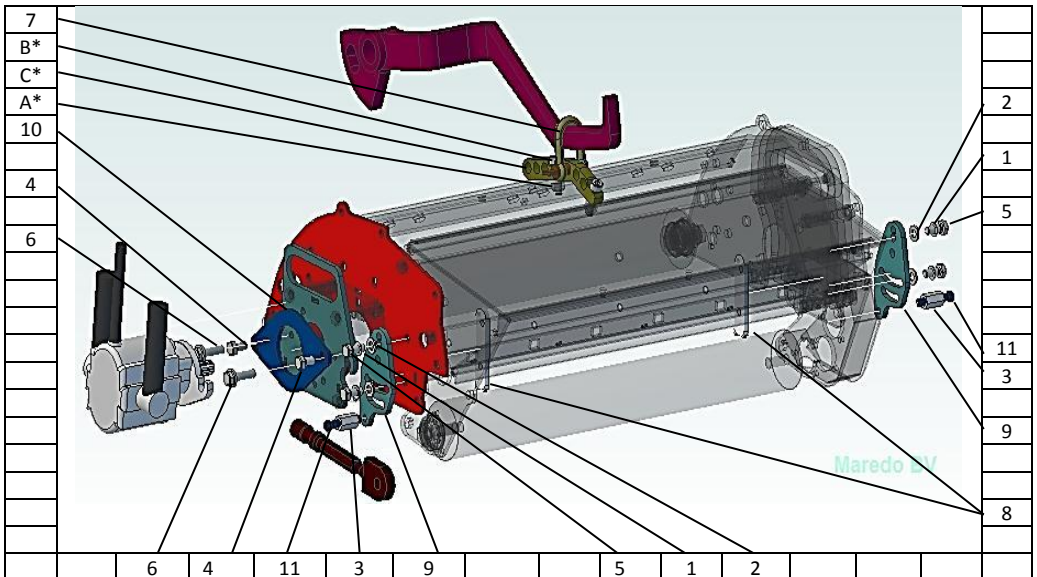


# MOUNTING KIT 1320013-03 TORO

FOR Maredo GT HEADS **WITHOUT** GEARBOX. Nov'11

ITEM	Quant.	Part Number + Name	Comment
1	4	3008121 Springwasher M8 6798 A	
2	4	3008160 Washer M8 DIN 125A	
3	2	3508040 Nut M8 DIN 6334	Tighten well, when mounted
4	2	3608161 Bolt M8 x 16 4017 SELF	
5	4	3608201 Bolt M8 x 20 ISO 4017	
6	2	3608309 Bolt with washer M8 x 30 D6921	
7	1	3915360 D shackle 10 mm	
8	2	6006136-01 Threaded strip for Toro plate	
9	2	6006138-01 Adjustable Toro side plate GT	Use the best hole/ slotted hole combination (more combinations possible). Swop left to right for even more travel adjustment.
10	1	6006140-02 Mount plate for Toro 1109	
11	2	6508041-00 Ball bolt 8 x 40 for Toro kit	Screw in #9 till it Lines up with rear
A	2	3508004 Self lock nut M8	
B	2	3608303 Hex socket screw M8 x 30 DIN 912	
C	1	6012120-02 Pick up cam for GT D shackle	
These items (ABC) are not standard included in this mounting kit. They will be gradually standard mounted on all our machines. For some heads we will add them, others can work with the old eye.			

**For(easy) changing the drive side of the head (Right-> Left/ v.v.), see the manual.**



# MOUNTING KIT 1320013-03 TORO

## FOR Maredo GT HEADS WITHOUT GEARBOX. Nov'11

ITEM	Quant.	Part Number + Name	Comment
1	4	3008121 Springwasher M8 6798 A	
2	4	3008160 Washer M8 DIN 125A	
3	2	3508040 Nut M8 DIN 6334	Tighten well, when mounted
4	2	3608161 Bolt M8 x 16 4017 SELF	
5	4	3608201 Bolt M8 x 20 ISO 4017	
6	2	3608309 Bolt with washer M8 x 30 D6921	
7	1	3915360 D shackle 10 mm	
8	2	6006136-01 Threaded strip for Toro plate	
9	2	6006138-01 Adjustable Toro side plate GT	Use the best hole/ slotted hole combination (more combinations possible). Swop left to right for even more travel adjustment.
10	1	6006140-02 Mount plate for Toro 1109	
11	2	6508041-00 Ball bolt 8 x 40 for Toro kit	Screw in #9 till it Lines up with rear
A	2	3508004 Self lock nut M8	
B	2	3608303 Hex socket screw M8 x 30 DIN 912	
C	1	6012120-02 Pick up cam for GT D shackle	
These items (ABC)are not standard included in this mounting kit.			
They will be graduately standard mounted on all our machines. For some heads we will add them, others can work with the old eye.			

**For(easy) changing the drive side of the head (Right-> Left/ v.v.), see the manual.**

