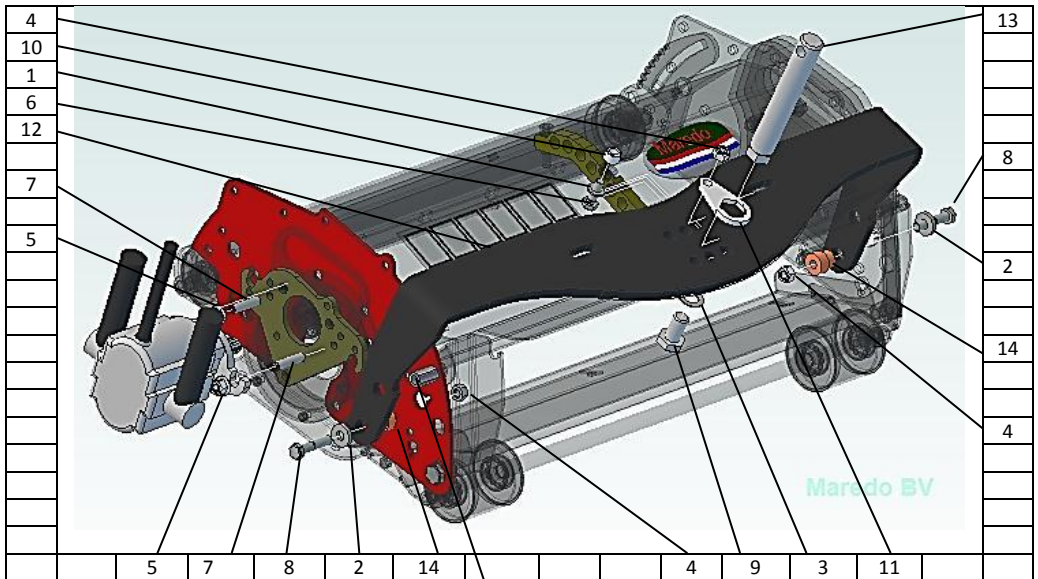


# MOUNTING KIT 1320014-00 JAC IV

FOR Maredo GT HEADS WITH GEARBOX. Nov'11

ITEM	Quant.	Part Number + Name	Comment
1	1	3008160 Washer M8 DIN 125A	
2	2	3008400 Thick washer M8 DIN 7349	
3	1	3014150 Spring washer M14 D 6798A	
4	3	3508004 Self lock nut M8 D985	
5	2	3508008 Self lock nut with washer D6926	
6	1	3608251 Bolt M8 x 25 4017 S	
7	2	3608356 Set screw M8 x 35 DIN 916	Lock with LOCTITE in correct threaded hole
8	2	3608400 Bolt M8 x 40 DIN 931	
9	1	3614251 Bolt M14 x 25 DIN 933 4017	Tight + USE LOCTITE
10	1	3810809 Distance bush D14 H10 d8	
11	1	6005057-00 Secure plate Jac pin at U bracket	
12	1	6010628-08 U frame for Jac and JDeere black	
13	1	6422140-02 Jacobsen connecting shaft	Choose best hole position on U bracket # 12
14	2	6720819-02 Pivot bush U bracket GT	

For(easy) changing the drive side of the head (Right-> Left/ v.v.), see the manual.



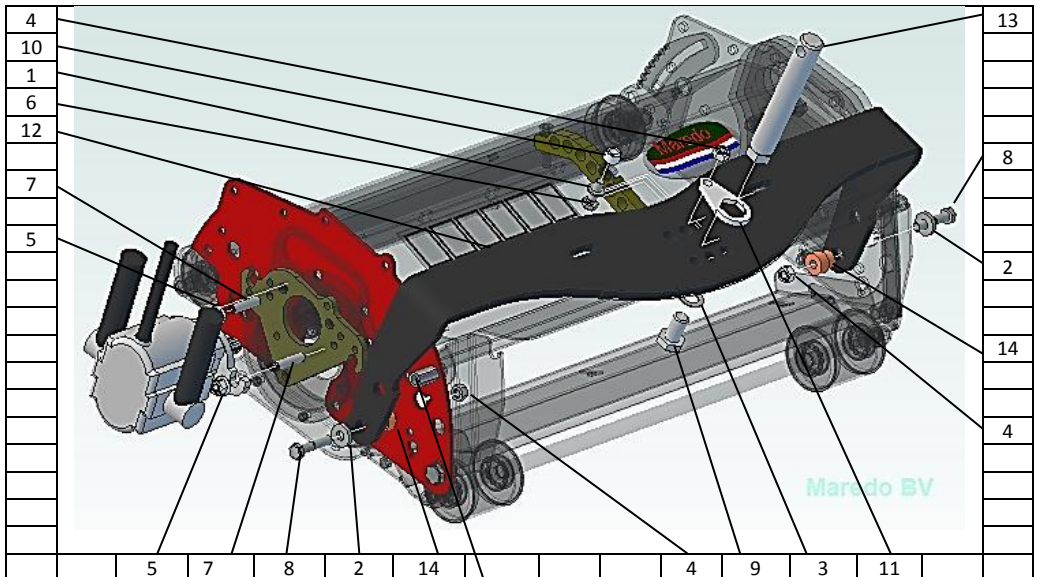
High nut M8 standard on machines

# MOUNTING KIT 1320014-00 JAC IV

FOR Maredo GT HEADS WITH GEARBOX. Nov'11

ITEM	Quant.	Part Number + Name	Comment
1	1	3008160 Washer M8 DIN 125A	
2	2	3008400 Thick washer M8 DIN 7349	
3	1	3014150 Spring washer M14 D 6798A	
4	3	3508004 Self lock nut M8 D985	
5	2	3508008 Self lock nut with washer D6926	
6	1	3608251 Bolt M8 x 25 4017 S	
7	2	3608356 Set screw M8 x 35 DIN 916	Lock with LOCTITE in correct threaded hole
8	2	3608400 Bolt M8 x 40 DIN 931	
9	1	3614251 Bolt M14 x 25 DIN 933 4017	Tight + USE LOCTITE
10	1	3810809 Distance bush D14 H10 d8	
11	1	6005057-00 Secure plate Jac pin at U bracket	
12	1	6010628-08 U frame for Jac and JDeere black	
13	1	6422140-02 Jacobsen connecting shaft	Choose best hole position on U bracket # 12
14	2	6720819-02 Pivot bush U bracket GT	

**For(easy) changing the drive side of the head (Right-> Left/ v.v.), see the manual**



High nut M8 standard on machines