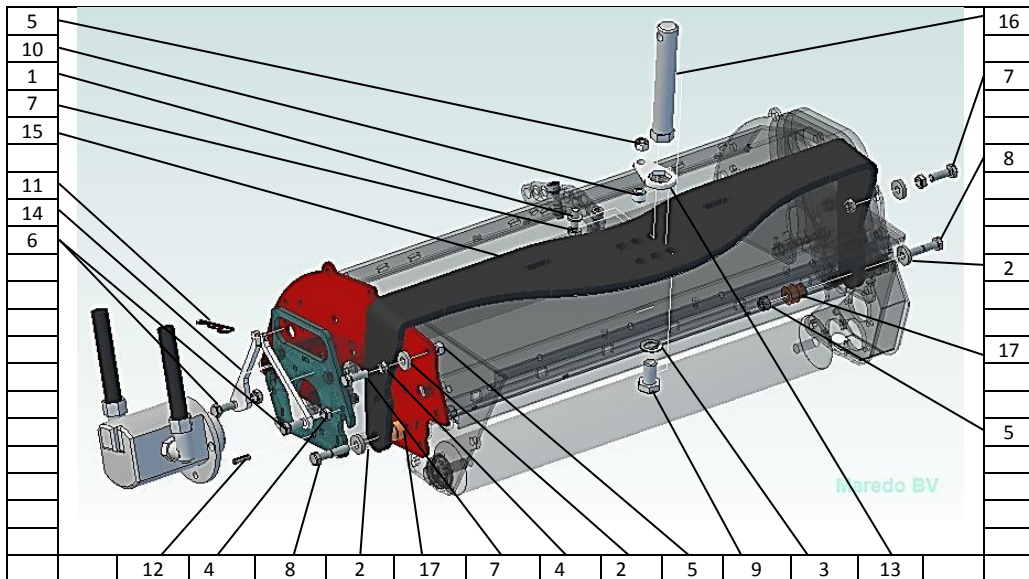


MOUNTING KIT 1320016-03 JAC V/VI

FOR Maredo GT HEADS WITHOUT GEARBOX. Nov'11

ITEM	Quant.	Part Number + Name	Remarks
1	1	3008160 Washer M8 DIN 125A	
2	4	3008400 Thick washer M8 DIN 7349	
3	1	3014150 Spring washer M14 D 6798A	
4	4	3508000 Nut M8 DIN 934	
5	5	3508004 Self lock nut M8 D985	
6	2	3608201 Bolt M8 x 20 ISO 4017	
7	3	3608251 Bolt M8 x 25 4017 S	
8	2	3608400 Bolt M8 x 40 DIN 931	
9	1	3614251 Bolt M14 x 25 DIN 933 4017	Tight! + Use Loctite
10	1	3810809 Distance bush D14 H10 d8	
11	1	3901330 R pin d=3	
12	1	3903620 Roll pin 6 x 20 D1481	DON'T FORGET THIS PIN !!
13	1	6005057-00 Secure plate pin at U bracket	
14	2	6006119-02 Lever for Jac VI motor mount	Adjust "0" play with bolts
15	1	6010628-08 U frame for Jac and JDeere bl.	Choose best hole position for pin # 16
16	1	6422140-02 Jacobsen connecting shaft	
17	2	6720819-02 Pivot bush U bracket GT	

For(easy) changing the drive side of the head (Right-> Left/ v.v.), see the manual.



MOUNTING KIT 1320016-03 JAC V/VI

FOR Maredo GT HEADS WITHOUT GEARBOX. Nov'11

ITEM	Quant.	Part Number + Name	Remarks
1	1	3008160 Washer M8 DIN 125A	
2	4	3008400 Thick washer M8 DIN 7349	
3	1	3014150 Spring washer M14 D 6798A	
4	4	3508000 Nut M8 DIN 934	
5	5	3508004 Self lock nut M8 D985	
6	2	3608201 Bolt M8 x 20 ISO 4017	
7	3	3608251 Bolt M8 x 25 4017 S	
8	2	3608400 Bolt M8 x 40 DIN 931	
9	1	3614251 Bolt M14 x 25 DIN 933 4017	Tight! + Use Loctite
10	1	3810809 Distance bush D14 H10 d8	
11	1	3901330 R pin d=3	
12	1	3903620 Roll pin 6 x 20 D1481	DON'T FORGET THIS PIN !!
13	1	6005057-00 Secure plate pin at U bracket	
14	2	6006119-02 Lever for Jac VI motor mount	Adjust "0" play with bolts
15	1	6010628-08 U frame for Jac and JDeere bl.	Choose best hole position for pin # 16
16	1	6422140-02 Jacobsen connecting shaft	
17	2	6720819-02 Pivot bush U bracket GT	

For(easy) changing the drive side of the head (Right-> Left/ v.v.), see the manual.

