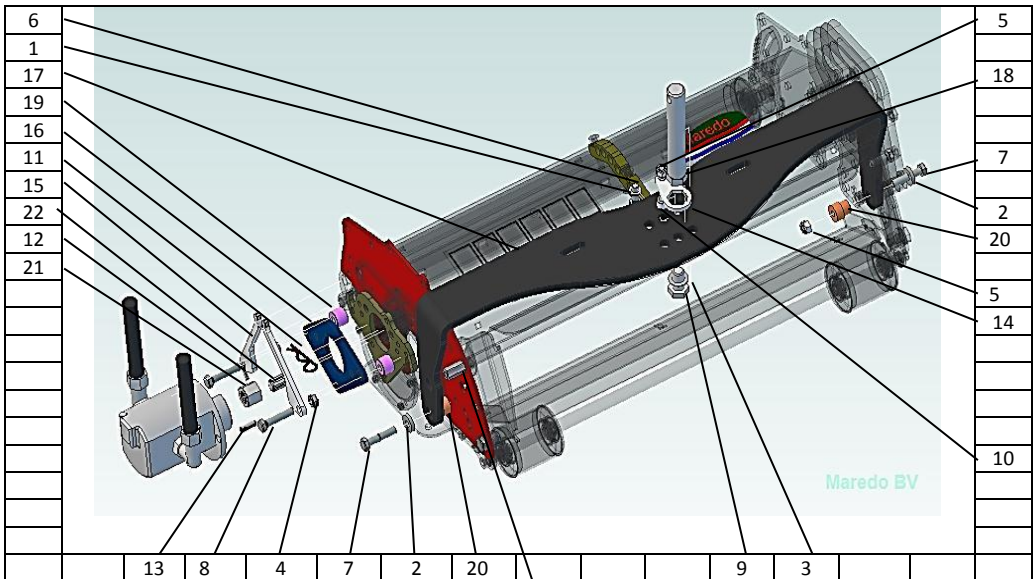


MOUNTING KIT 1320019-00 JAC GK V/VI

FOR Maredo GT HEADS WITH GEARBOX. Nov'11

ITEM	Quant.	Part Number + Name	Comment
1	1	3008160 Washer M8 DIN 125A	
2	2	3008400 Thick washer M8 DIN 7349	
3	1	3014150 Spring washer M14 D 6798A	
4	2	3508000 Nut M8 DIN 934	
5	3	3508004 Self lock nut M8 D985	
6	1	3608251 Bolt M8 x 25 4017 S	
7	2	3608400 Bolt M8 x 40 DIN 931	
8	2	3608401 Bolt M8 x 40 DIN 933	
9	1	3614251 Bolt M14 x 25 DIN 933 4017	Tight + USE LOCTITE
10	1	3810809 Distance bush D14 H10 d8 88062203N	
11	1	3901330 R pin d=3	
12	1	3903416 Roll pin 4 x 16 D1481	Is one assembly with #21 + 22
13	1	3903620 Roll pin 6 x 20 D1481	
14	1	6005057-00 Secure plate Jac pin at U bracket	
15	2	6006119-02 Lever for Jac VI motor mount	Adjust bolt #8 till the play is gone
16	1	6006158-01 Add mount plate Jac V GT 190	
17	1	6010628-08 U frame for Jac and JDeere black	
18	1	6422140-02 Jacobsen connecting shaft	
19	2	6710815-00 Distance bush d8 D20 L15 GKV kit	
20	2	6720819-02 Pivot bush U bracket GT	
21	1	6735018-01 Splined hex bush for Jac_ GT 250	Is one assembly with #12 + 22
22	1	6735023-00 Splined shaft Jac_ GT 250	Is one assembly with #21 + 12

For (easy) changing the drive side of the heads (Right-> Left and v.v.) see the manual.



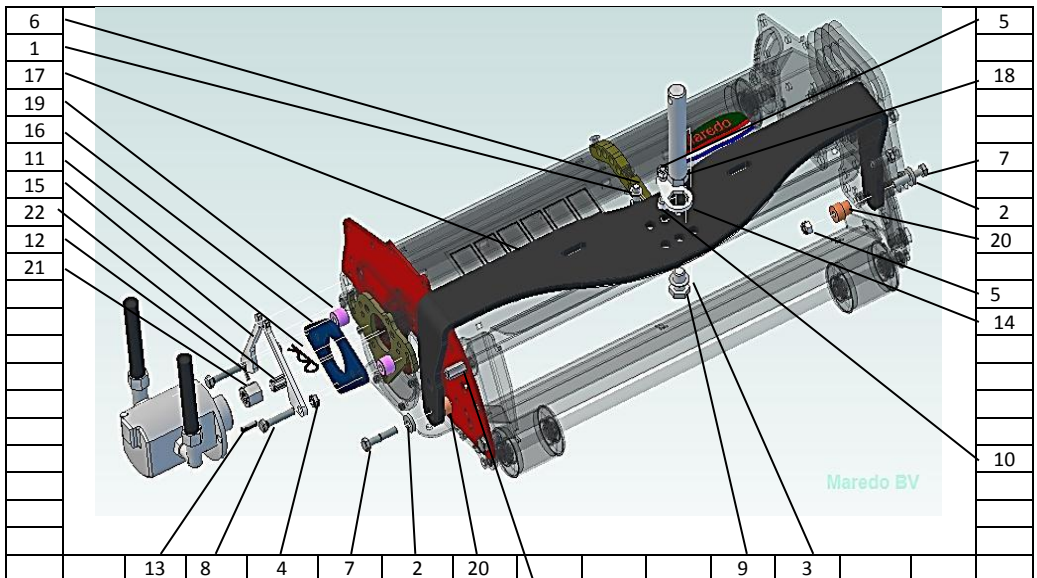
Standard on the machine

MOUNTING KIT 1320019-00 JAC GK V/VI

FOR Maredo GT HEADS WITH GEARBOX. Nov'11

ITEM	Quant.	Part Number + Name	Comment
1	1	3008160 Washer M8 DIN 125A	
2	2	3008400 Thick washer M8 DIN 7349	
3	1	3014150 Spring washer M14 D 6798A	
4	2	3508000 Nut M8 DIN 934	
5	3	3508004 Self lock nut M8 D985	
6	1	3608251 Bolt M8 x 25 4017 S	
7	2	3608400 Bolt M8 x 40 DIN 931	
8	2	3608401 Bolt M8 x 40 DIN 933	
9	1	3614251 Bolt M14 x 25 DIN 933 4017	Tight + USE LOCTITE
10	1	3810809 Distance bush D14 H10 d8 88062203N	
11	1	3901330 R pin d=3	
12	1	3903416 Roll pin 4 x 16 D1481	Is one assembly with #21 + 22
13	1	3903620 Roll pin 6 x 20 D1481	
14	1	6005057-00 Secure plate Jac pin at U bracket	
15	2	6006119-02 Lever for Jac VI motor mount	Adjust bolt #8 till the play is gone
16	1	6006158-01 Add mount plate Jac V GT 190	
17	1	6010628-08 U frame for Jac and JDeere black	
18	1	6422140-02 Jacobsen connecting shaft	
19	2	6710815-00 Distance bush d8 D20 L15 GKV kit	
20	2	6720819-02 Pivot bush U bracket GT	
21	1	6735018-01 Splined hex bush for Jac_ GT 250	Is one assembly with #12 + 22
22	1	6735023-00 Splined shaft Jac_ GT 250	Is one assembly with #21 + 12

For (easy) changing the drive side of the heads (Right-> Left and v.v.) see the manual.



Standard on the machine