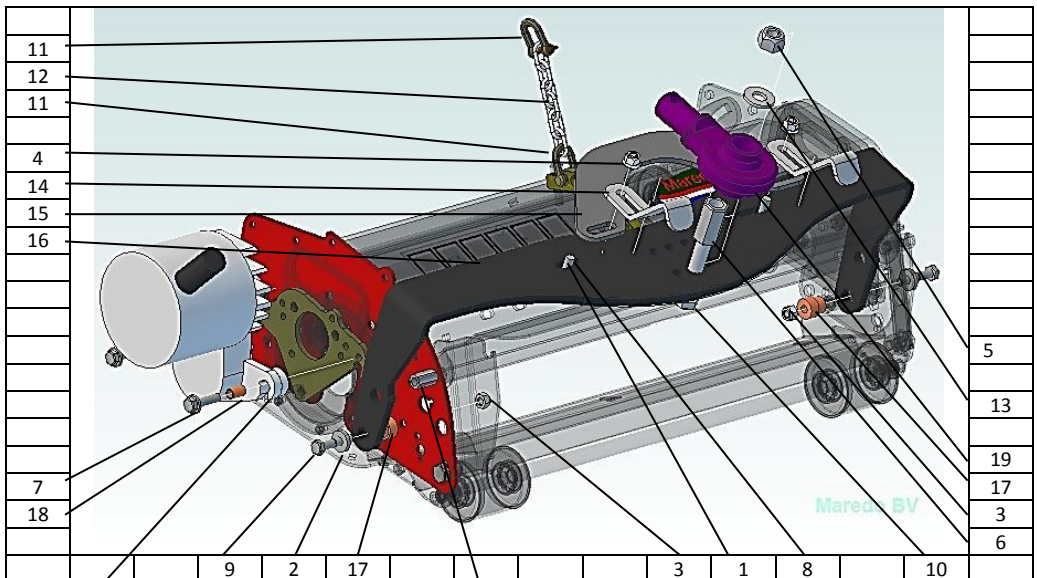


MOUNTING KIT 1320022 JDEERE QA+E

(Male shaft ONLY !) FOR ALL GT HEADS WITH + WITHOUT GEARBOX. Nov'11

ITEM	Quant.	Part Number + Name	Remark:
1	2	3008160 Washer M8 DIN 125A	
2	2	3008400 Thick washer M8 DIN 7349	
3	2	3508004 Self lock nut M8 D985	
4	2	3508008 Self lock nut with washer D6926	
5	1	3514004 Self lock nut M14 D985	
6	1	3514040 High nut M14 3d	Mount tight!
7	2	3608309 Bolt with washer M8 x 30 D6921	Do NOT overtighten
8	2	3608351 Bolt M8 x 35 4017 S	
9	2	3608400 Bolt M8 x 40 DIN 931	
10	1	3614801 Bolt M14 x 80 DIN 933 4017	Choose the right hole
11	2	3915330 D shackle 6 mm for JDeere chain	
12	1	3917519 JDeere chain 7x19 mm 6 shackles d5	Choose the right length
13	1	6003030-01 Washer 14-30-3	
14	2	6005229-00 JDeere angle transport lock bracket	Adjust is correct position
15	1	6005230-00 JDeere anti-tilt plate on U bracket	
16	1	6010628-08 U frame for Jac and JDeere black	
17	2	6720819-02 Pivot bush U bracket GT	
18	2	7010015-00 Bush for JDeere 2500 QA bolt 1145	
19	1	7405014-03 Ball head for JDeere	

For(easy) changing the drive side of the head (Right-> Left/ v.v.), see the manual



High nut is standard mounted

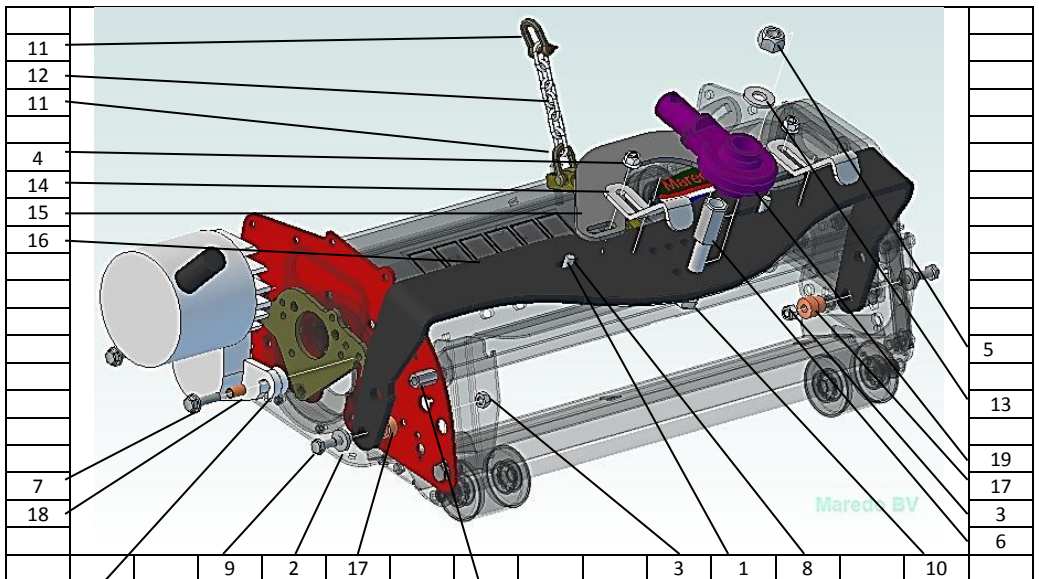
Aside the QA, a regular JDEERE motor fits as well (as long as it has a male splined shaft)
ng as it has a male splined shaft)

MOUNTING KIT 1320022 JDEERE QA+E

(Male shaft ONLY !) FOR ALL GT HEADS WITH + WITHOUT GEARBOX. Nov'11

ITEM	Quant.	Part Number + Name	Remark:
1	2	3008160 Washer M8 DIN 125A	
2	2	3008400 Thick washer M8 DIN 7349	
3	2	3508004 Self lock nut M8 D985	
4	2	3508008 Self lock nut with washer D6926	
5	1	3514004 Self lock nut M14 D985	
6	1	3514040 High nut M14 3d	Mount tight!
7	2	3608309 Bolt with washer M8 x 30 D6921	Do NOT overtighten
8	2	3608351 Bolt M8 x 35 4017 S	
9	2	3608400 Bolt M8 x 40 DIN 931	
10	1	3614801 Bolt M14 x 80 DIN 933 4017	Choose the right hole
11	2	3915330 D shackle 6 mm for JDeere chain	
12	1	3917519 JDeere chain 7x19 mm 6 shackles d5	Choose the right length
13	1	6003030-01 Washer 14-30-3	
14	2	6005229-00 JDeere angle transport lock bracket	Adjust is correct position
15	1	6005230-00 JDeere anti-tilt plate on U bracket	
16	1	6010628-08 U frame for Jac and JDeere black	
17	2	6720819-02 Pivot bush U bracket GT	
18	2	7010015-00 Bush for JDeere 2500 QA bolt 1145	
19	1	7405014-03 Ball head for JDeere	

For(easy) changing the drive side of the head (Right-> Left/ v.v.), see the manual.



High nut is standard mounted

Aside the QA, a regular JDEERE motor fits as well (as long as it has a male splined shaft)
ng as it has a male splined shaft)